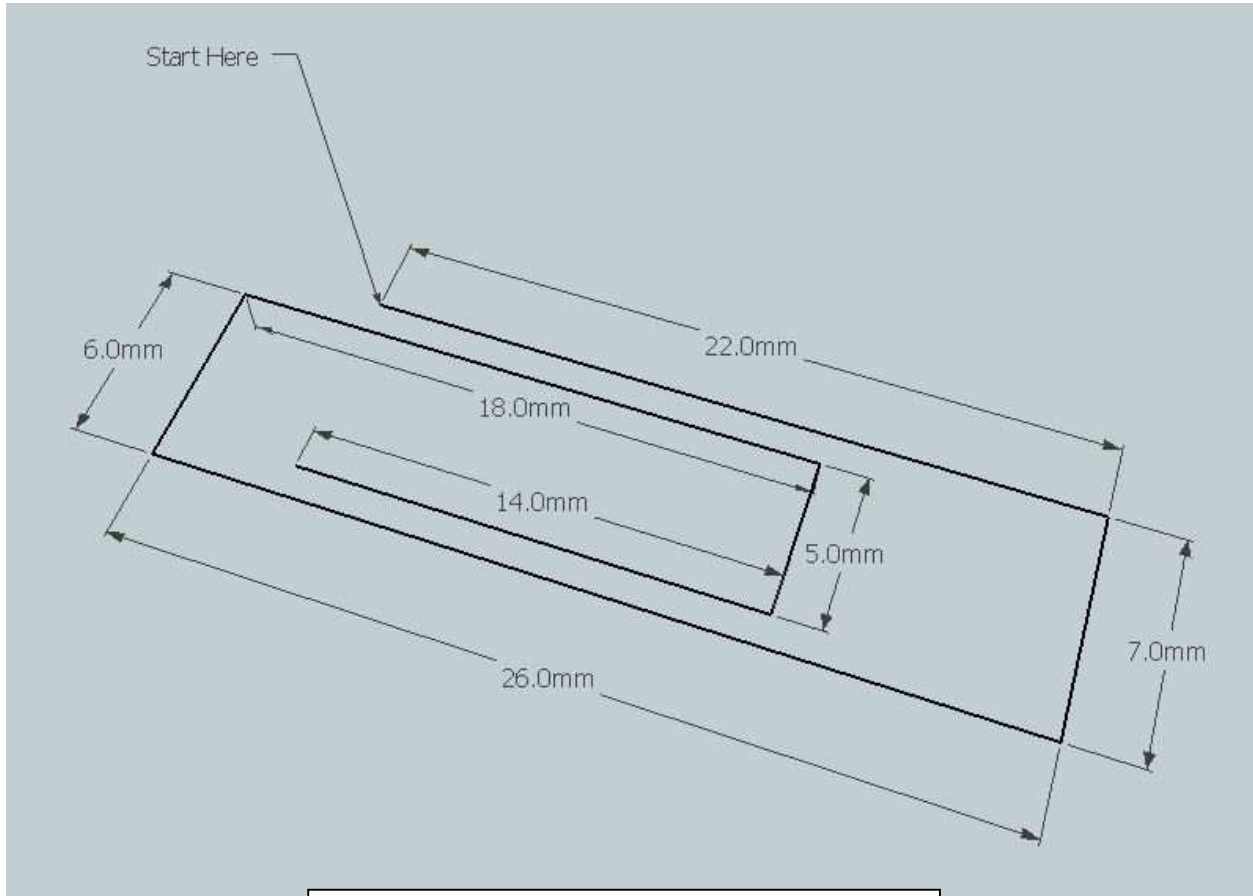
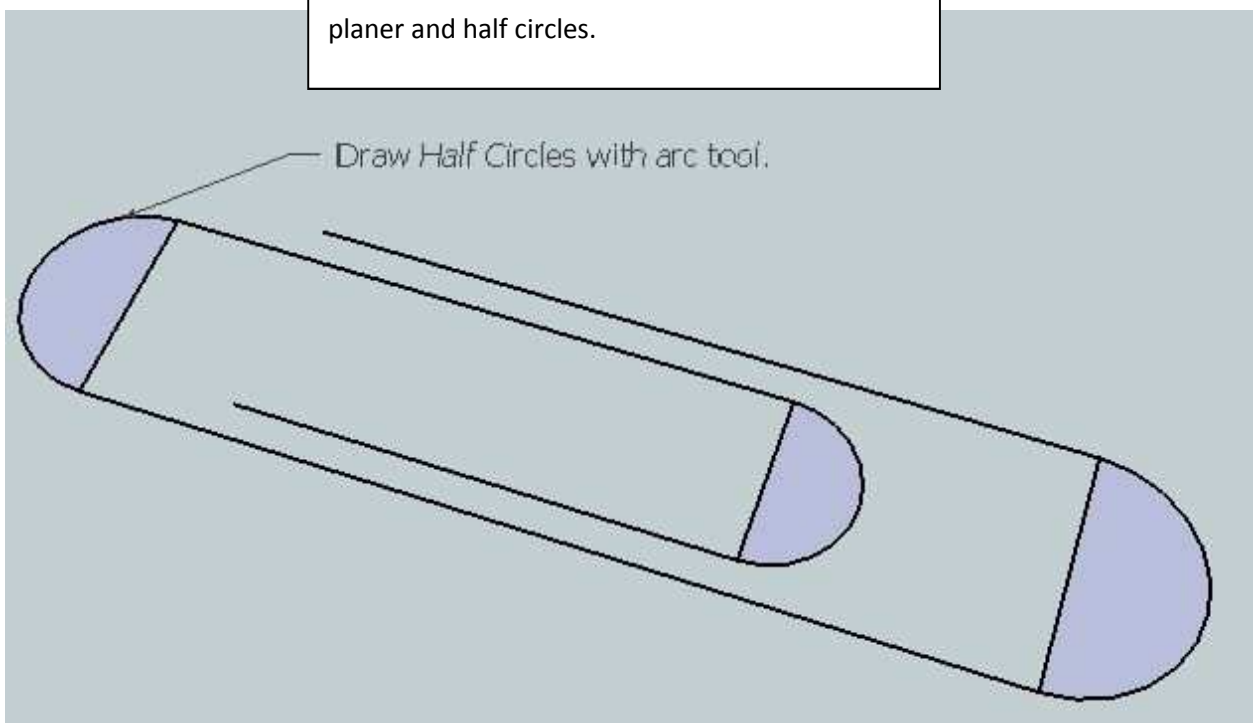


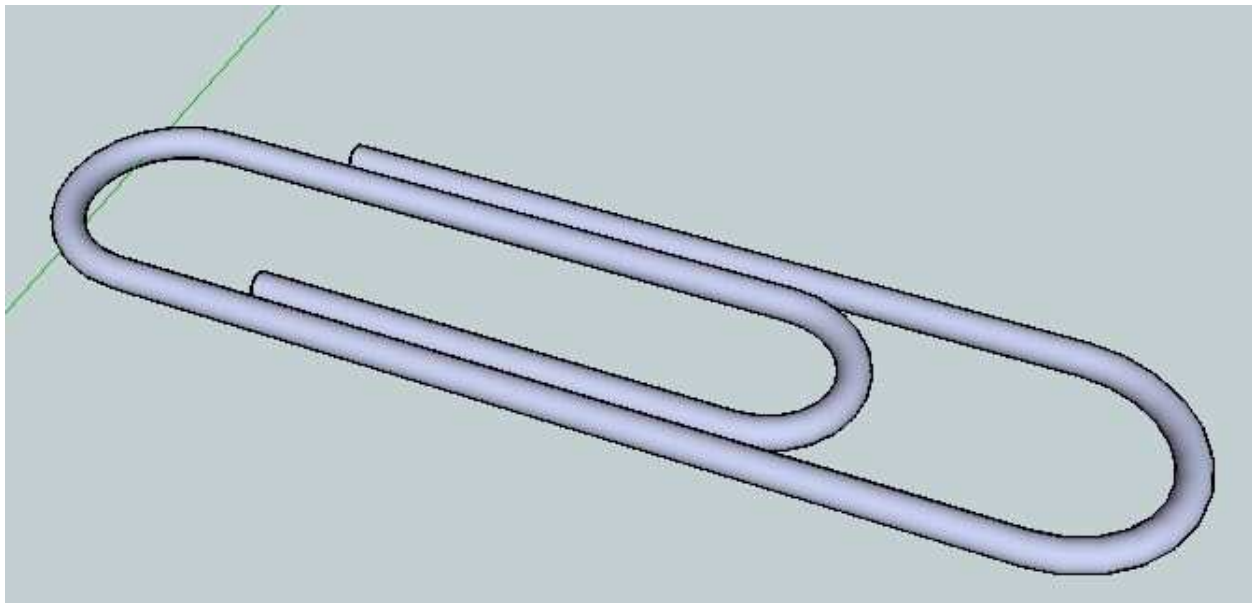
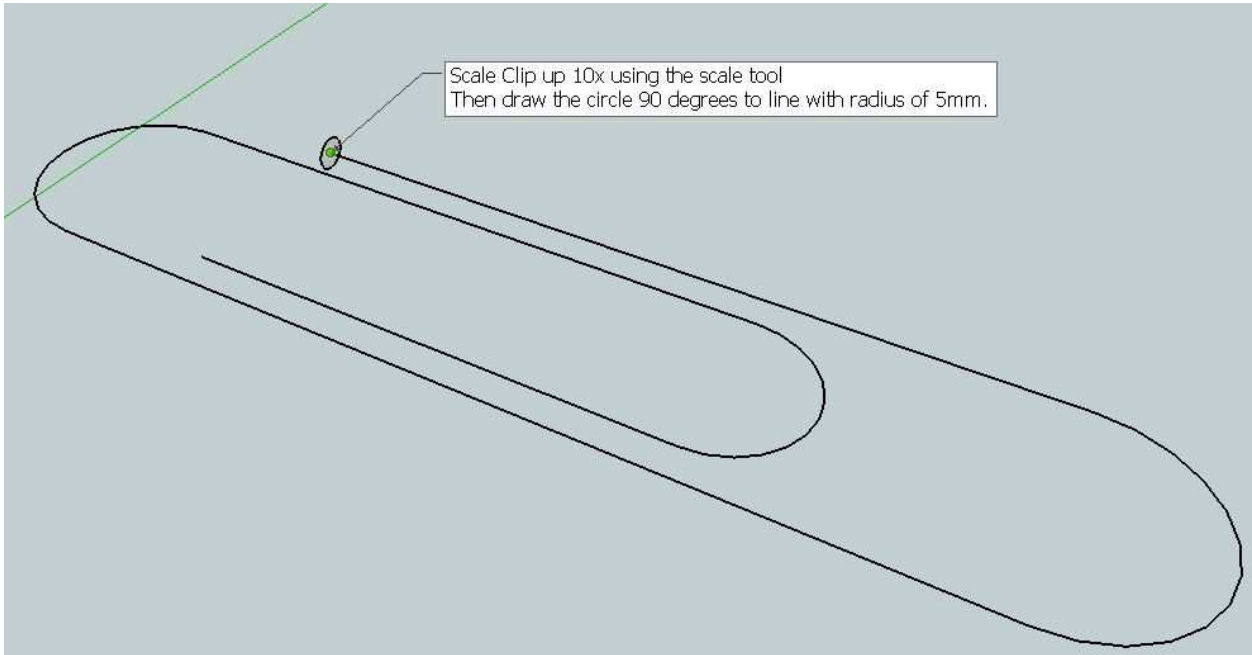
How to make a paperclip in Sketchup

1. Choose the millimeter template.
2. Begin with the pencil tool and make all lines co-planer with 90 degree corners



Select the arc tool and make sure the arcs are co-planer and half circles.





Now scale down 10 times, convert to component and color. Also make some that are larger using the scale tool.